



BOLTON

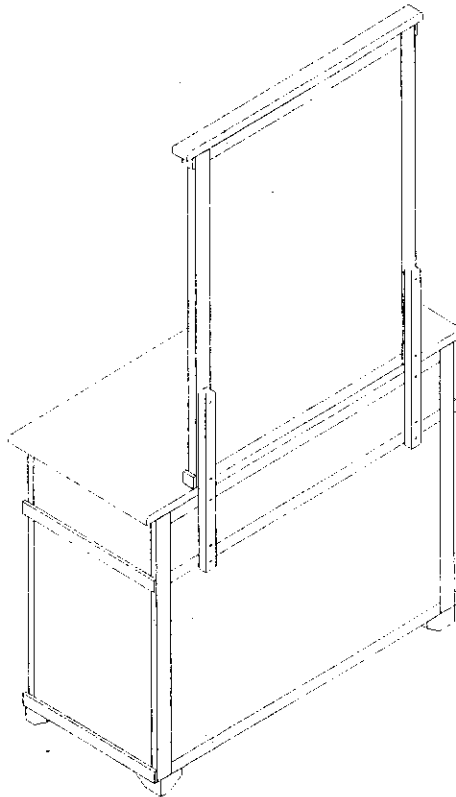
F U R N I T U R E

249 Professional Drive, Morrisville, VT 05661

Voice: 802-888-7974 Fax: 802-888-3668

www.boltonfurniture.biz

Woodridge Mirror Bracket Assembly



Thank you for purchasing our Woodridge Mirror. Assembly of this product requires a phillips screwdriver. We have found it helpful to have a second person present in at least one step of the assembly.

Parts List

Mirror Frame(1)

Mirror with brackets(2)

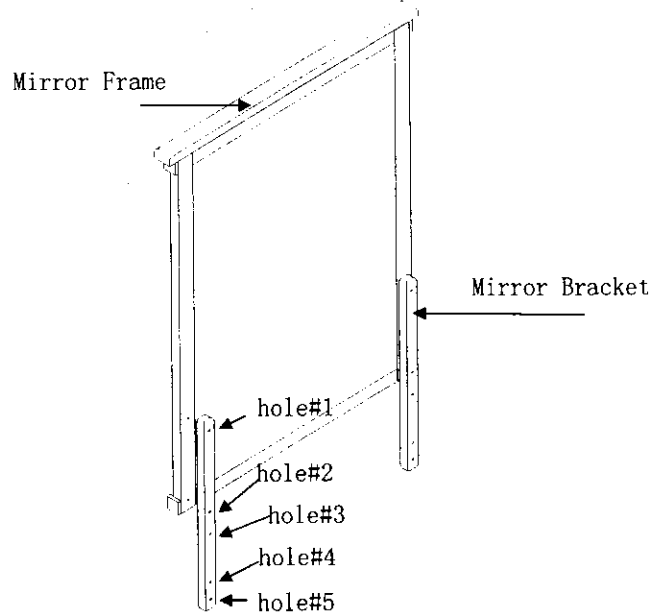
Wood Screws(8)

Step 1

Wooden pieces should be placed on a non-abrasive surface to prevent damage to the finish.

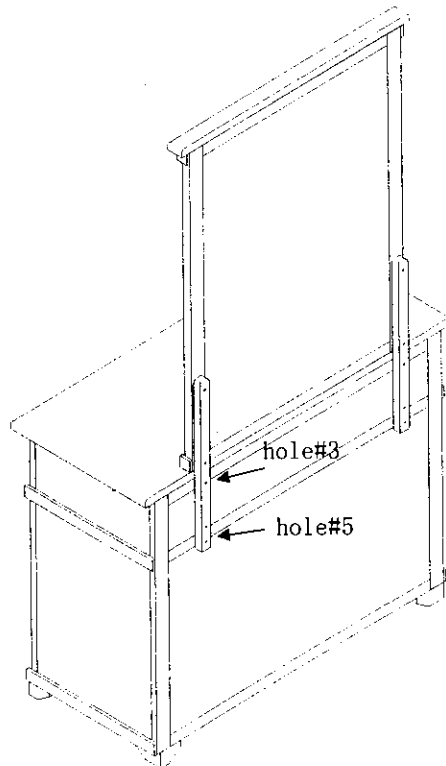
Step 2

Attach Mirror Bracket to the Mirror Frame using 4 Wood Screws. Please use hole#1 and hole#2 for the attachment.



Step 3

Attach Mirror to Woodridge 4 drawer chest and 7 Drawer Dresser using 4 Wood Screws. On this step, We need to use hole#3.



Care: Clean with mild soap and warm water - wipe dry.