




Assembly Sheet Slide

Replacement parts can be obtained from any Bolton Furniture authorized dealer

249 Professional Drive, Morrisville, VT
Phone: 802-888-7974
Fax: 802-888-3668
Web Site: www.boltonfurniture.biz

PARTS LIST

NO.	Drawing	Description	Qty.
A		Slide	1
B		20mm wood screw	6
C		Hook	2

Slide Assembly: Two people recommended for this assembly.

Step 1

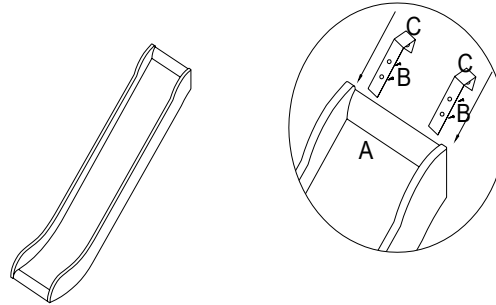
Complete Assembly of Low Loft

Step 2 -

Open boxes and verify that all parts are included.

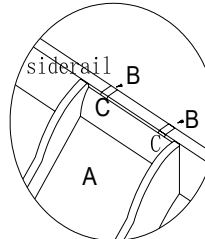
Step 3 - Attach Hooks

Attach Hooks (C) using 20 MM Wood Screws (B) to Slide (A). SEE ILLUSTRATION.



Step 4 - Attach Slide to Side Rail

Attach Slide (A) to side rail on Head Board side of Bed. Secure by screwing 20 MM Wood Screws (B) thru ladder hooks into back of side rail.



This completes the assembly of the Slide!

