

Assembly Sheet

Mission - Twin Over Full

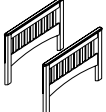
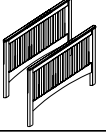

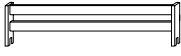

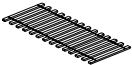
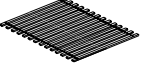

Replacement parts can be obtained from any Bolton Furniture authorized dealer.





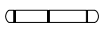

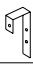




249 Professional Drive, Morrisville, VT

Phone: 802-888-7974

Fax: 802-888-3668

Web Site: www.boltonfurniture.biz

NO.	Drawing	Description	Qty.
A		Twin Footboard	2
B		Full Headboard	2
C		Front Safety Rail	1
D		Back Safety Rail	1
E		Side Rails	4
F		Twin Bed Slats	1
G		Full Bed Slats	1
H		Ladder	1

NO.	Drawing	Description	Qty.
I		80mm Hex Bolt	16
J		Cross Dowel	16
K		Hex Wrench	1
L		30mm wood screw	62
M		Steel Dowel	4
N		20mm wood screw	12
O		Ladder hook	4
P		50mm Hex Bolt	3
Q		Mushroom Plug	24
R		Safety rail plug	1
S		Insert plug	1

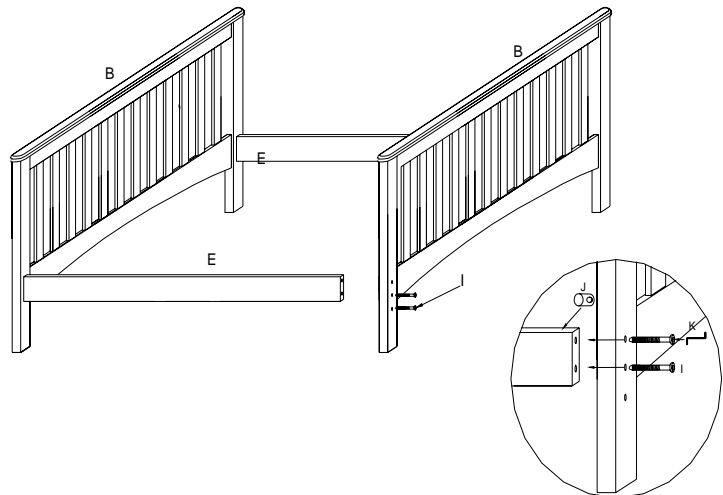
Bennington Twin over Full Assembly: Two people recommended for this assembly.

Step 1

Verify that all parts are in box.

Step 2

Lower Bunk Structure Assembly - Position Bed Ends (B) and Side Rails (E) in approximate location where you want bed. Insert Cross Dowels (J) in holes on inside of side rails. Attach side rails to bed ends by inserting 80mm Hex Bolt (I) through the upper holes on bed ends. Thread hex Bolt into cross Dowels in side rails. Using Hex Wrench (K) tighten hex Bolts. SEE DIAGRAM



249 Professional Drive, Morrisville, VT

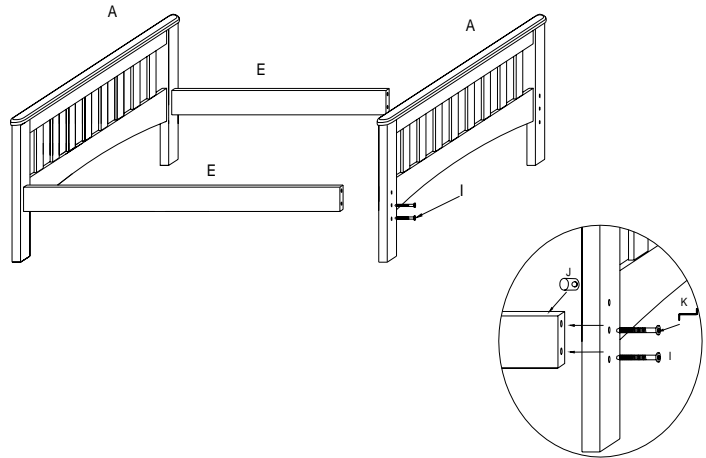
Phone: 802-888-7974

Fax: 802-888-3668

Web Site: www.boltonfurniture.biz

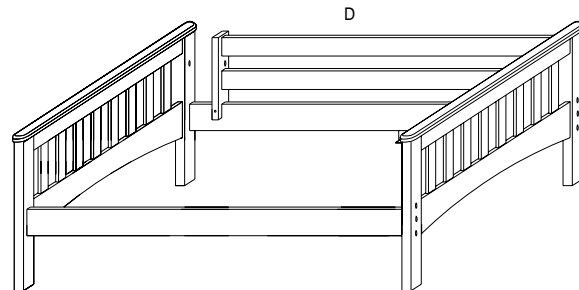
Step 3

Upper Bunk Structure Assembly - Position Bed Ends (A) and Side Rails (E) in approximate location where you want bed. Insert Cross Dowels (J) in holes on inside of side rails. Attach side rails to bed ends by inserting 80mm Hex Bolt (I) through the upper holes on bed ends. Thread hex Bolt into cross Dowels in side rails. Using Hex Wrench (K) tighten hex Bolts. Do not fully tighten Hex Bolts at this time.

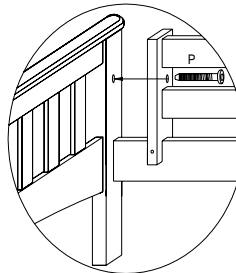


Step 4

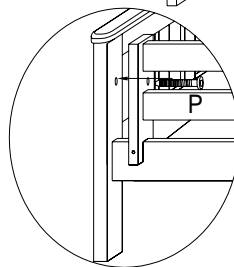
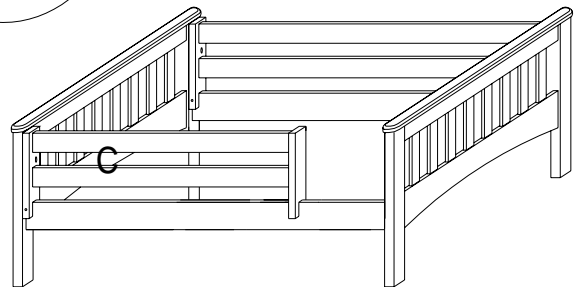
Attach Safety Rails to Upper Bunk Struction - Loosen Hex bolts enough to slide the Back Safety Rail (D) into position over the side rail.



Attach Back Safety Rail (D) to bed both ends using 50 MM Hex Bolt (P). Align thru holes in safety rail post to insert in bed end posts. Tighten using Hex Wrench. At this time tighten all Hex Bolts in upper bed structure using Hex Wrench (K)



Attach Front Safety Rail (C) to bed end using 50MM Hex Bolt. Align thru hole in front safety rail post to insert in bed end post. Tighten using Hex Wrench (K). Note: Front Safety Rail can be attached to left or right hand bed end.



249 Professional Drive, Morrisville, VT

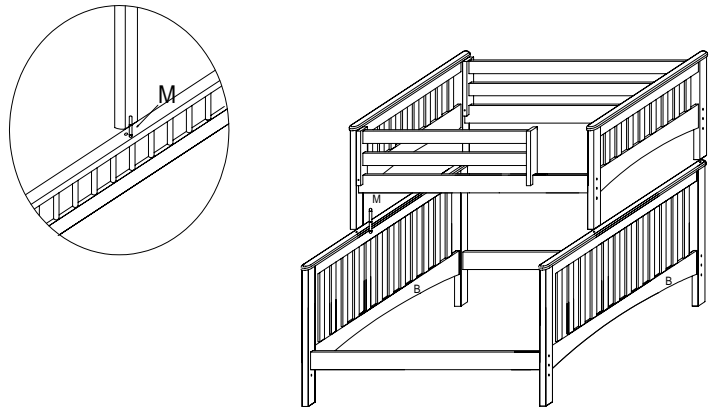
Phone: 802-888-7974

Fax: 802-888-3668

Web Site: www.boltonfurniture.biz

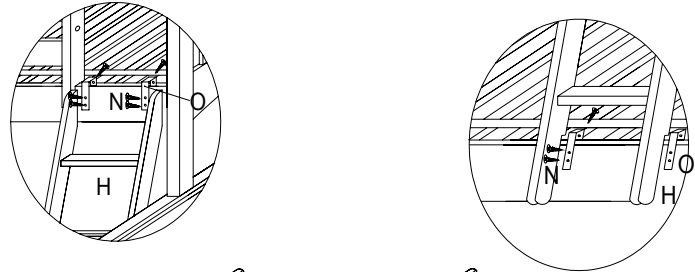
Step 5

Position the Upper Bunk Structure on the Lower Bunk Structure - Insert 4 Steel Dowel Pins (M) into predrilled holes in top rails of the Lower Structure bed ends. Set the Upper Bunk Structure on top of the Lower Bunk Structure by aligning the steel pins to the pre-drilled holes in the bottom of the post of the Upper Bunk Structure. Seat down tightly.

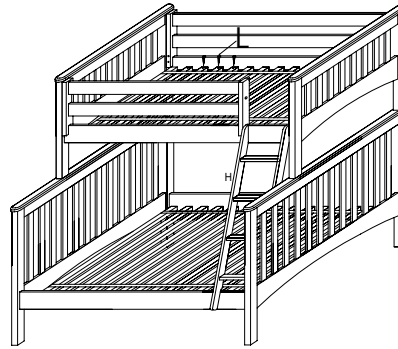


Step 6

Ladder Assembly - Attach Ladder Hooks (O) to Ladder - two Hooks in top position and two Hooks in bottom position. Attach hooks using 20mm Wood Screws (N).

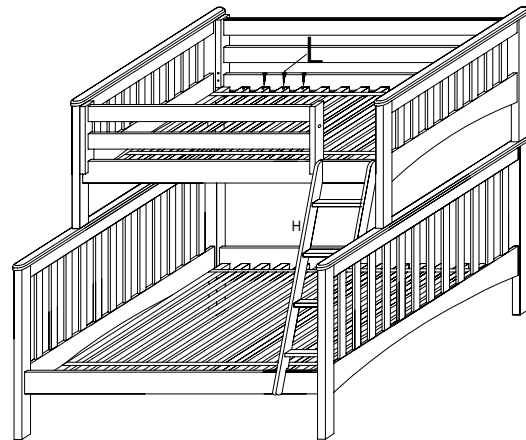


Attach Ladder by positioning the hooks on Ladder (H) over the front side rails of the Upper and Lower Bunk Structures. Secure the ladder to the inside of the upper and lower front side rails using 20mm Wood Screws (N)



Step 7

Place Twin Slat Roll (F) on the wooden cleats of side rails in the Upper Bunk Structure. Place Full Slat Roll (G) on the wooden cleats of side rails in the Lower Bunk Structure. Center slats between Bed End of upper and lower structure. Make sure that the spacing between Bed Ends and first slat is less than 3 1/2 inches in both the upper and lower structures. Screw slats to wooden cleats using 30mm wood screw (L - 56 places). Webbing should be facing up.



249 Professional Drive, Morrisville, VT

Phone: 802-888-7974

Fax: 802-888-3668

Web Site: www.boltonfurniture.biz

Please use a mattress which is 75" and 38 1/2" wide on the top bunk; use a mattress which is 75" long and 53 1/2" wide on the lower bed (full size)

Ensure thickness of mattress does not exceed 8" and 5" below from mattress sleeping surface to top edge of guardrail.

Your new Twin / Full Bunk is now ready to use.

Safety Warnings:

- 1) Follow the information on the warning label attached to the upper bunk end structure. Do not remove this label.
- 2) Always use the recommended size mattress to help prevent the likelihood of entrapment or falls. Use a mattress which is 75" long and 38 1/2" wide on the top bunk.
- 3) Always use the recommended size mattress to help prevent the likelihood of entrapment or falls. Use a mattress which is 75" long and 53 1/2" wide on the lower bed (full size).
- 4) Surface of mattress must be at least 5 inches below the upper edge of the guard rails. Ensure thickness of mattress and foundation combined does not exceed 8".
- 5) Do not allow children under 6 years of age to use the upper bunk.
- 6) Prohibit more than one person on the upper bunk.
- 7) Periodically check to ensure that the guard rails, ladder, and other components are in their proper position, free from damage, and that all connectors are tight.
- 8) Do not allow horseplay on or under the bed and prohibit jumping on the bed.
- 9) Always use the ladder for entering and leaving the upper bunk.
- 10) Do not use substitute parts. Contact the manufacturer or dealer for replacement parts.
- 11) Use of a night light may provide an added safety precaution for a child using the bunk.
- 12) If the bunk bed will be placed next to a wall, the guard rail that runs the full length of the bed should be placed against the wall to prevent entrapment.
- 13) Always use guard rails on both sides of the upper bunk.
- 14) The use of water or sleep flotation mattresses is prohibited.
- 15) Keep these instructions for future reference.

STRANGULATION HAZARD

15) Never attach or hang items to any part of the bunk bed that are not designed for use with the bed. For example, but not limited to hooks, belts or jump ropes.

Warning - On Beds with finials that can be configured as Bunk Beds!

Effective on Bunk Beds manufactured on or after March 10th, 2008, finials cannot be used.

The finials provided with certain beds, which are part of the design of the bed, are to be used only in one of the

249 Professional Drive, Morrisville, VT

Phone: 802-888-7974

Fax: 802-888-3668

Web Site: www.boltonfurniture.biz

lower configuration – that is as a Twin, Full, Queen or King configuration.

These finials are never to be used in the upper structure in a Bunk Bed configuration.

Using the finials in the upper structure of a Bunk Bed will create a strangulation hazard. Never use finials in the upper structure of a Bunk Bed.

A flat Mushroom Cap – made to conform to the requirement is provided to take the place of finials in the upper structure in Bunk Bed configurations.

249 Professional Drive, Morrisville, VT

Phone: 802-888-7974

Fax: 802-888-3668

Web Site: www.boltonfurniture.biz