

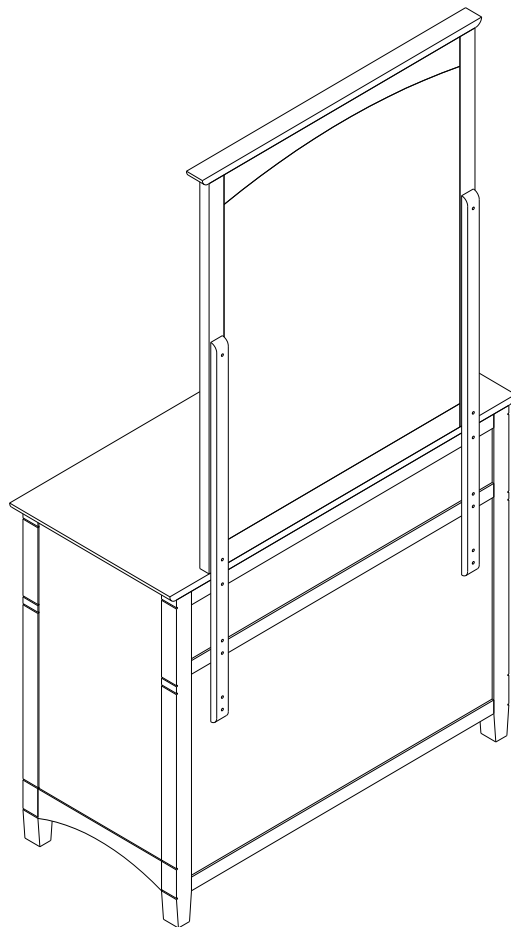


249 Professional Drive, Morrisville, VT 05661

Voice: 802-888-7974 Fax: 802-888-3668

[www.boltonfurniture.biz](http://www.boltonfurniture.biz)

## Essex Mirror Bracket Assembly



Thank you for purchasing our Essex Mirror. Assembly of this product requires a phillips screwdriver. We have found it helpful to have a second person present in at least one step of the assembly.

### Parts List

Mirror Frame (1)

Mirror with brackets (2)

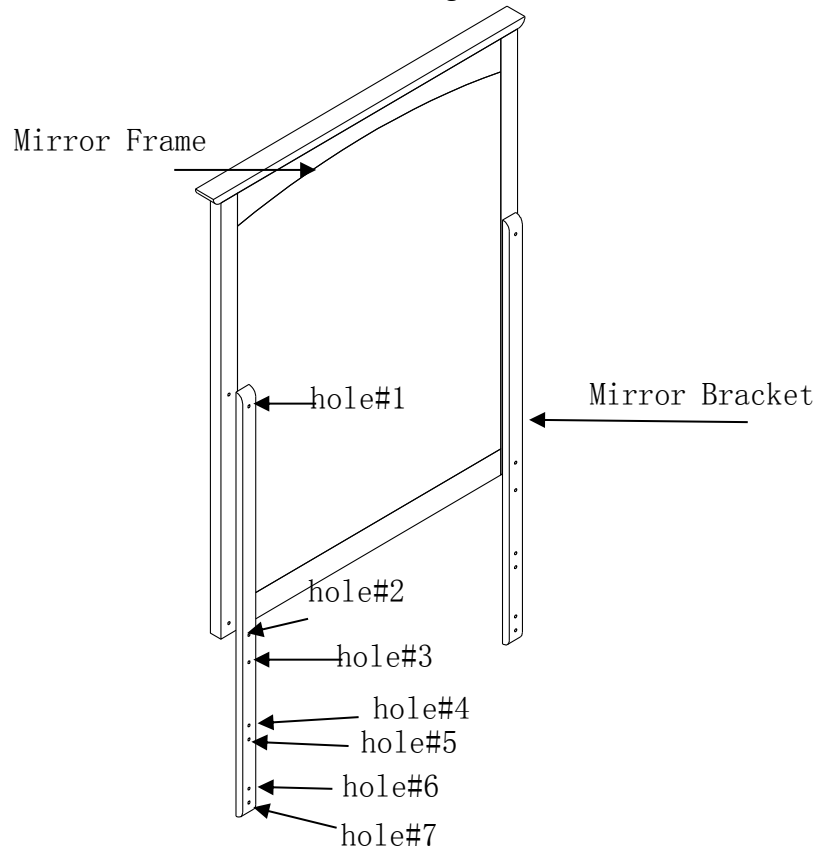
Wood Screws (8)

**Step 1**

Wooden pieces should be placed on a non-abrasive surface to prevent damage to the finish.

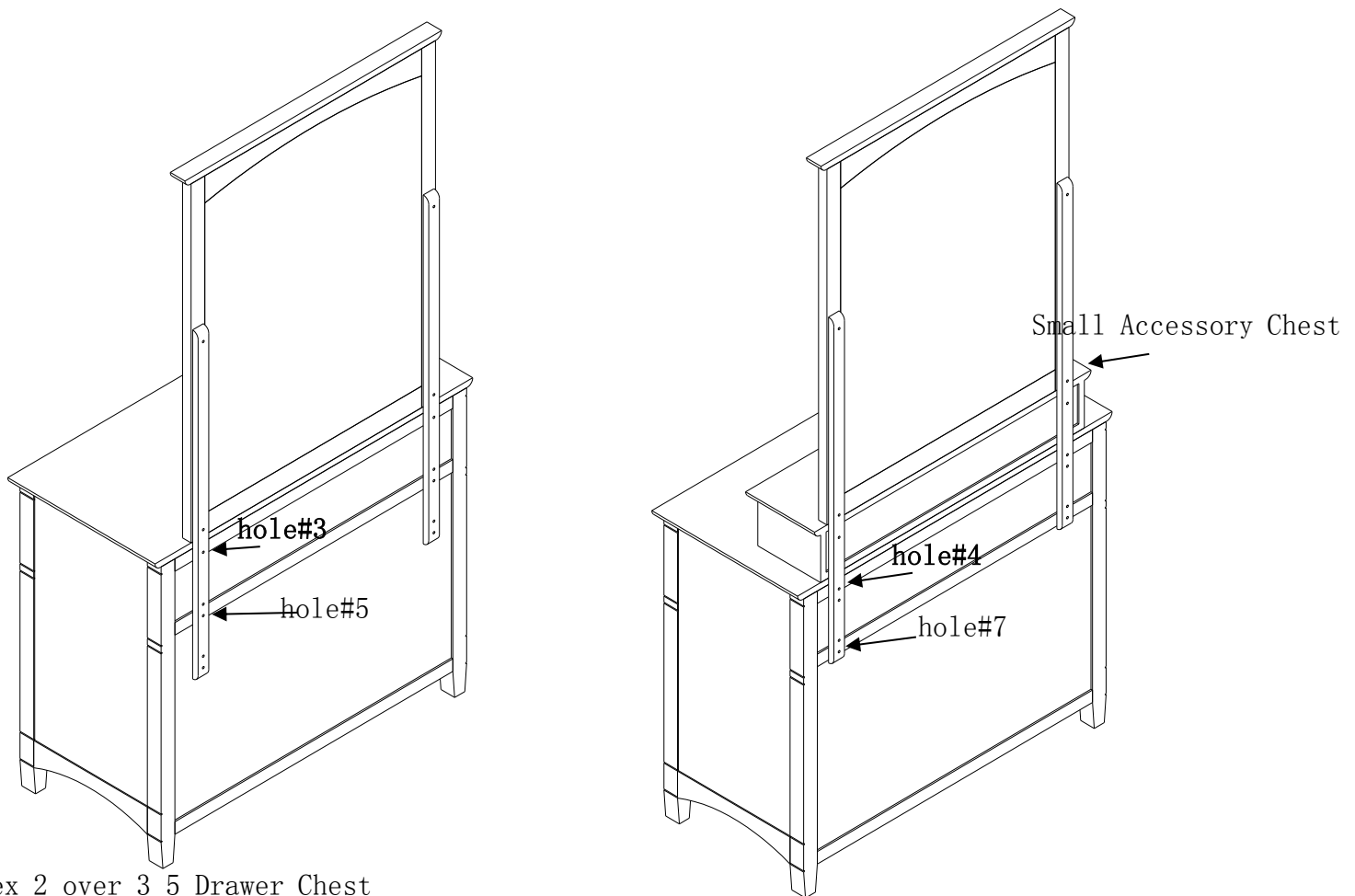
**Step 2**

Attach Mirror Bracket to the Mirror Frame using 4 Wood Screws. Please use hole#1 and hole#2 for the attachment.



**Step 3**

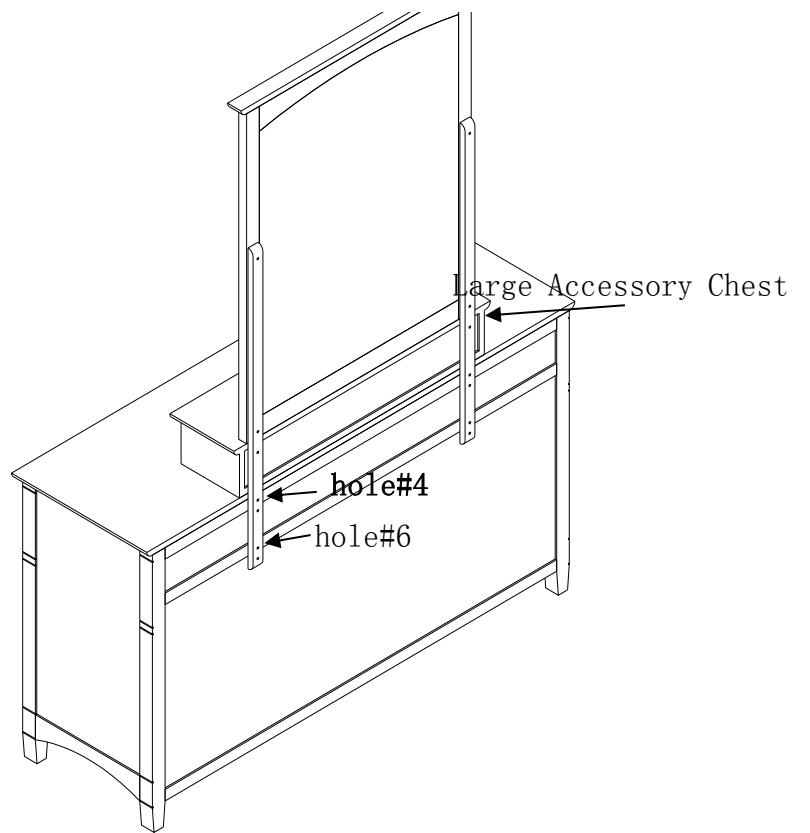
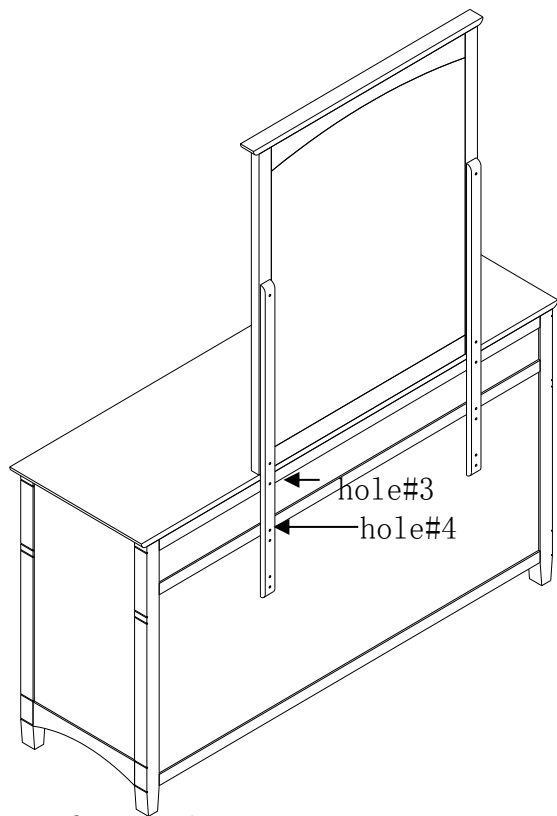
Attach Mirror to Essex 2 over 3 5 drawer chest or Essex 2 over 2 4 drawer chest using 4 Wood Screws. On this step, we need to use hole#3&#5;use hole#4 and#7 if a Small Accessory Chest stacked on top of the 5 drawer chest.



Essex 2 over 3 5 Drawer Chest

Attach Mirror to Essex 3 over 4 7 drawer chest using 4 Wood Screws. On this step, please use hole#3 and #4; use hole#4and #6 if a Large Accessory Chest stacked on top of 7 Drawer Dresser.





Essex 3 over 4 7 Drawer Dresser

Care: Clean with mild soap and warm water - wipe dry.