

Assembly Sheet Emma - Twin

Replacement parts can be obtained from any Bolton Furniture authorized dealer.




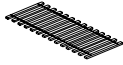

249 Professional Drive, Morrisville, VT







Phone: 802-888-7974

Fax: 802-888-3668

Web Site: www.boltonfurniture.biz

Parts List

NO.	Drawing	Description	Qty.
A		Twin Footboard	1
B		Twin Low Headboard	1
C		Side Rail	2
D		Twin Bed Slats	1
E		Finial	4

NO.	Drawing	Description	Qty.
F		100mm Hex Bolt	8
G		Cross Dowel	8
H		Allen Wrench	1
I		30mm wood screw	30
J		M8*70mm Headless Rods	4
K		Mushroom Plug	12

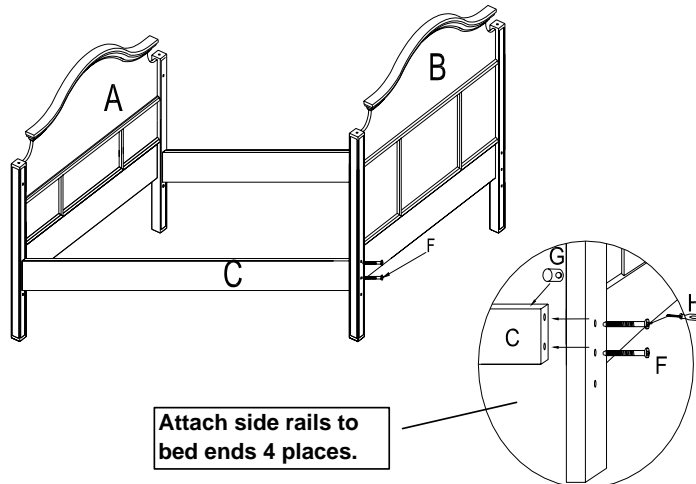
Emma Twin Assembly Instructions: Two people recommended for this assembly.

Step 1

Verify that all parts are in box.

Step 2 - Attach Bed Ends to Side Rails

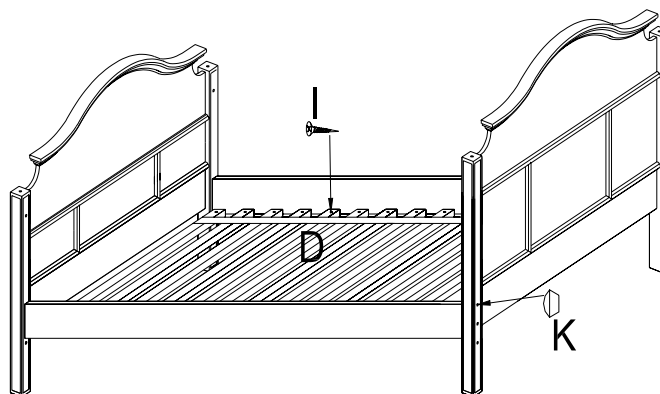
Position Bed Ends (A) & (B) and Side Rails (C) in approximate location where you want bed. Insert Cross Dowels (G) in holes on inside of side rails. Attach both side rails to bed ends by inserting 80mm Hex Bolt (F) through the upper holes on bed ends. Thread Hex Bolt into cross Dowels in side rails. Using Hex Wrench (H) tighten hex Bolts. SEE DIAGRAM



Step 3 - Attach Slat Roll

Attach Slat roll (D) to cleats in side rails using 30MM Wood Screws (I). Every Slat must be securely attached to cleats on both ends of slat.

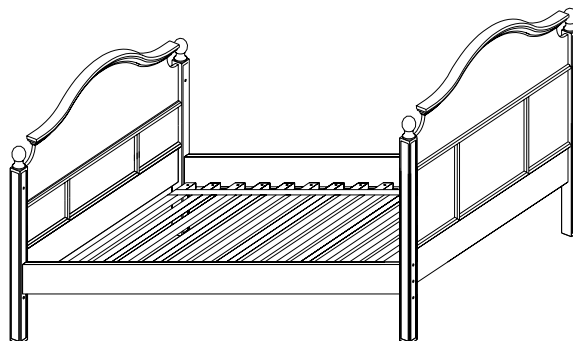
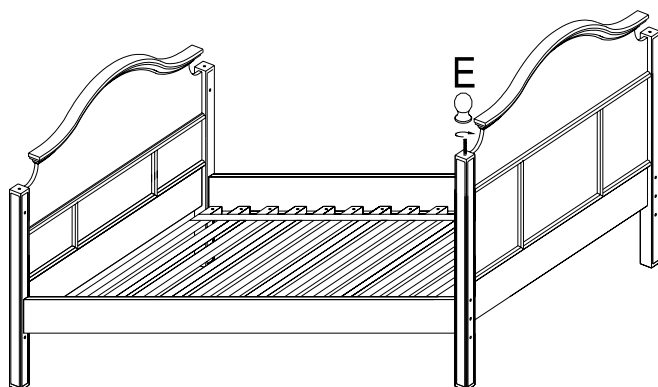
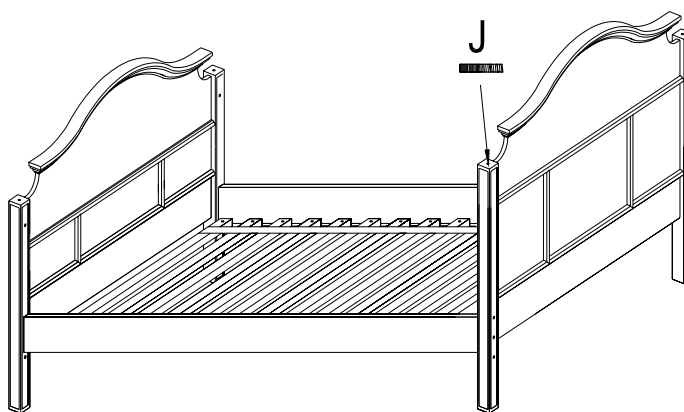
Insert Mushroom Plug (K) into all counter sunk holes on Bed End post - 12 places.



Step 4 - Attach Finials

Thread Headless Rods (J) into Threaded Inserts in top of bed post - Do this on top of all 4 post.

Thread Finial (E) into the Headless Rod (J) on top of 4 post.



This Completes the Assembly of the Emma Twin Bed w/ Low Headboard

249 Professional Drive, Morrisville, VT

Phone: 802-888-7974

Fax: 802-888-3668

Web Site: www.boltonfurniture.biz